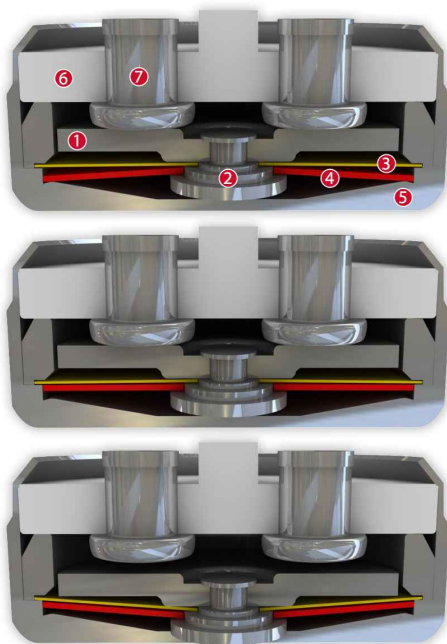


DATASHEET

Thermal Protector P06

Type series 06



Construction and function

Switchgear consisting of a mobile and circular contact bridge (1), a contact bearing pin (2), a spring snap-in disc (3) and a bimetallic disc (4) which is riveted into one another, undetachable and fixed in a positive lock and self-aligning between a non-conductive floor of a housing (5) and an insulating ceramic bearing (6) with two integrated stationary contacts (7) as electrodes. At the same time, the switchgear is supported by the spring snap-in disc (3) with the contact bridge (1) acting as a transfer element for electric current which is held between a supporting collar and a circumferential ring. As such, the bimetallic disc (4) continuously work (exposed) by mechanical loads without the contact pressure defined by the spring snap-in disc (3) diminishing. As soon as the bimetallic disc (4) reaches its rated switching temperature, it effectively springs against the throw force of the spring snap-in disc (3) into its inverted position. The contacts are abruptly opened. The temperature will now fall. The bimetallic disc (4) will only snap back upon reaching a defined reset temperature and the contacts will be closed again. As the contact bearing pin (2) is appropriately dimensioned, an easy, circular rotation of the circle-shaped contact bridge (1) is enabled with every switch so that transfer resistances remain constantly below the minimum limit after many switch cycles and the long term stability is sustained even under high levels of stress.

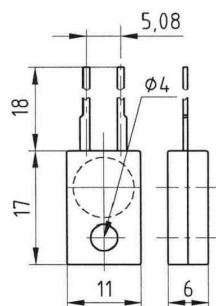
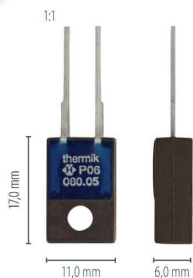
Features:

Contact opening	with constant distance of the contacts in the whole range between switching temperature and reset temperature
Ceramic deck-plate	as contact-carrying part
Very short bounce time	< 1 ms
Instantaneous switching	with always constant contact pressure up to the nominal switching point, resulting in low contact stress
Excellent long term performance	due to fine silver contacts; reproducible switching temperature values due to tempered, electrically and mechanically unstressed bimetallic disc



P06

Type: Normally closed; resets automatically; with connection pins; with epoxy; fully insulated in the attachment housing



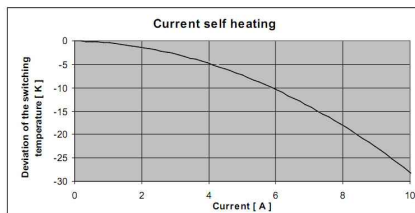
Installation height h	from 6,0 mm
Housing size (length/width)	17,0 mm / 11,0 mm
Length of the connection pins	18,0 mm
Fixing/Max. torque	3,0 Nm

Nominal switching temperature (NST) in 5 °C increments	70 °C - 200 °C	
Tolerance (standard)	±5 K	
Reverse Switch Temperature (defined RST is possible at the customer's request)	UL	≥ 35° C (≤ 95° C NST)
		-50 K ± 15 K (≥ 100° C ≤ 180° C NST)
	VDE	-65 K ± 15 K (≥ 185° C ≤ 200° C NST)
		≥ 35 °C
Installation height	from 6,0 mm	
Housing size (length/width)	17,0 mm / 11,0 mm	
Length of the connection pins	18,0 mm	
Fixing/Max. torque	3,0 Nm	
Resistance to impregnation *	suitable	
Suitable for installation in protection class	I + II	
Pressure resistance to the switch housing *	600 N	
Available approvals (please state)	IEC; ENEC; VDE; UL; CSA; CQC	
Operational voltage range AC/DC	up until 500 V AC / 28 V DC	
Rated voltage AC	250 V (VDE) 277 V (UL)	
Rated current AC cos φ = 1.0/cycles	10,0 A / 10.000	
Rated current AC cos φ = 0.6/cycles	6,3 A / 10.000	
Max. switching current AC cos φ = 1.0/cycles	25,0 A / 2.000	
Rated voltage DC	24 V	
Max. switching current DC/cycles	40,0 A / 8.000	
High voltage resistance	2,0 kV	
Total bounce time	< 1 ms	
Contact resistance (according to MIL-STD. R5757)	≤ 50 mΩ	
Vibration resistance at 10 ... 60 Hz	100 m/s ²	

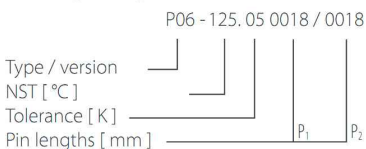
Current sensitivity characteristic at I_{nom}:

dependent of...

- Thermal coupling
- Application area
- Built-in conditions
- Outer influences
- Wiring length / wiring diameter



Ordering example:



Marking example:



More varieties of the type series 06:

- C06 – with connector cables; with epoxy; without insulation
- S06 – with connector cables; with epoxy; insulation: Mylar®-Nomex®
- L06 – with connector cables; with epoxy; fully insulated in a screw on housing
- V06 – with connector cables and double-insulated in the attachment housing
- B06 – with connector cables; with epoxy; fully insulated in a Rytan® cap
- F06 – with connector cables; with epoxy; fully insulated in a Nomex® cap
- C06HT – with connector cables; silicone coated; without insulation
- S06HT – with connector cables; silicone coated; insulation: PTFE
- H06 – with connector cables; with epoxy; fully insulated in the attachment housing

- www.thermik.de/data/C06
- www.thermik.de/data/S06
- www.thermik.de/data/L06
- www.thermik.de/data/V06
- www.thermik.de/data/B06
- www.thermik.de/data/F06
- www.thermik.de/data/C06HT
- www.thermik.de/data/S06HT
- www.thermik.de/data/H06

*In accordance with the Thermik test specifications relating to part applications (on the part of the buyer) which deviate from our standards are not checked for their capacity to support an application in conformity with the Thermik test specifications. The responsibility for the correct application of the Thermik products in such applications lies upon the user. - All dimensions are provided in terms of dimensions unless stated otherwise. - We reserve the right to make technical changes in the course of further development. - Details concerning strain data, measurement methods, applications, approvals, etc. can be supplied upon request.