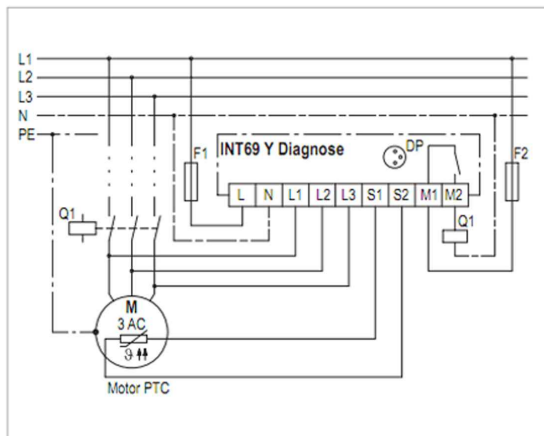


INT69 Y® Diagnose

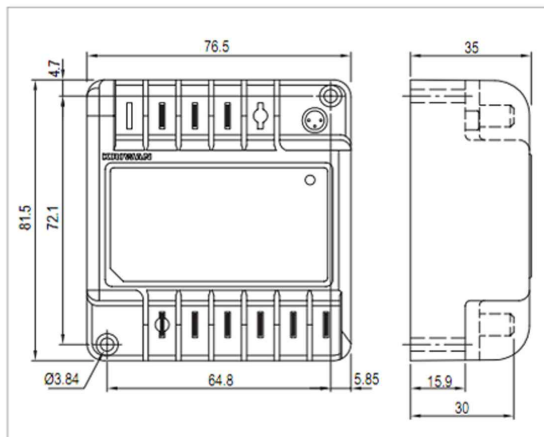
INT69 Y® Diagnose



INT69 Y Diagnose



Wiring diagram



Dimensions in mm

Application

The motor protector INT69 Y Diagnose is a further development of the reliable KRIWAN motor protectors. Additional inputs for the phase monitoring as well as supplementary flexible-response protective functions help to improve the availability and extend the service life of a motor.

The INT69 Y Diagnose automatically saves operational and error data in a non-volatile memory. This data can be retrieved and analysed for diagnosis. The full scope of the diagnosis is achieved by using a KRIWAN-specific AMS sensor.

This motor protector is mainly employed on machines of which the motor's direction of rotation is essential for the function.

Functional description

The temperature monitoring of the motor winding is done with two evaluation processes:

- **Static:** Switch-off is immediate if the nominal response temperature of the built-in AMS or PTC sensors is reached.
- **Dynamic:** If the temperature increases unusually quickly, the motor is switched off immediately even if the temperature is still far below the nominal response temperature. This prevents excess temperatures from occurring.

A short circuit at an AMS or PTC input also leads to a switch-off. A short cycling leads to a reset delay.

Following cooling off and/or error rectification and subsequent restart delay, the machine may be restarted. Restart after a lock-out is only possible after a reset.

The phase monitoring of the motor voltage is active 1s after the start of the motor. The correct phase sequence is monitored for 5s, the phase failure is monitored for the total motor running time. If a wrong phase sequence is detected or there is a phase failure, the motor protector will lock switch off.

After motor stop, the phase monitoring is deactivated for approx. 20s to prevent unintended locking due to brief reverse running of the machine.

For operation in the specified manner, the supply voltage has to be on permanently on the INT69 Y Diagnose.

The built-in LED signals the current status of the motor protector (see flash code).

⚠ The mounting, maintenance and operation are to be carried out by an electrician. The valid European and national standards for connecting electrical equipment have to be observed.

Connected sensors and connection lines that extend from the terminal box have to feature at least a basic insulation.

See back side for further specifications

Technical changes reserved

INT69 Y® Diagnose

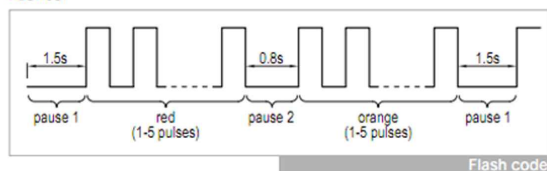
INT69 Y® Diagnose

Flash code

The KRIWAN flash code allows for a quick and easy status display and troubleshooting.

The flash code consists of a cyclical red and orange flash sequence.

The current status can be determined from the number of pulsing flashes.



Overview flash code

Green lit	Machine operational
Green flashing	Machine running
Red/Orange flashing	Error, machine is switched off; for description see table below

1st flashing sequence (LED red)	2nd flashing sequence (LED orange)	Description
1	1	Motor temperature: Static switch-off, Permissible winding temperature exceeded
	2	Motor temperature: Dynamic switch-off, Temperature rise in the motor winding unusually fast
	3	Motor temperature: Reset delay after static switch-off
	4	Motor temperature: Sensor input detected open circuit or short circuit
	5	Motor temperature: Reset delay after dynamic switch-off
2	1	Motor voltage: Incorrect phase sequence
	2	Motor voltage: Phase failure/asymmetry
3	1	General: Supply voltage too low
	5	General: Reset delay after "General" error

Order data

INT69 Y Diagnose (AC 115-240V)	22 A 630
INT69 Y Diagnose (AC 24V)	31 A 630
Accessories and application information	see www.kriwan.com

Technical specifications

Supply voltage	AC 50/60Hz 115-240V -15...+10% 3VA
- 22 A 630	
- 31 A 630	AC 50/60Hz 24V -15...+10% 3VA
Permissible ambient temperature T_A	-30...+70°C
Temperature measuring circuits	
- Type	1-2 AMS sensors in series alternative 1-9 PTC sensors acc. to DIN 44081, DIN 44082 in series <1.8k Ω
- $R_{25, total}$	4.5k Ω \pm 20%
- $R_{trip, static}$	2.75k Ω \pm 20%
- R_{reset}	30m
- Max. length connection line	
Short circuit monitoring system PTC	Typically <30 Ω
Motor voltage	3 AC 50/60Hz 200-690V \pm 10%
Phase monitoring	
- Phase sequence	Active about 1s after motor start for about 5s
- Phase failure	Active about 1s after the motor start until the motor stop After motor stop for approx. 20s
- Inactive	3 switch-offs in 30s
Switching frequency overstepping	
Operation with frequency converters	Not suitable
Reset delay	
- Motor temperature static	5min \pm 1min
- Motor temperature dynamic	1./24h 2./24h 3./24h 5min \pm 1min 1h \pm 12min Locked
- Switching frequency overstepping	5min \pm 1min
- Incorrect phase sequence	Locked
- Phase failure	Locked
Resetting the lock or the reset delay	Main reset >5s only possible if there is no error current
Relay	
- Contact (22 A 630)	AC 240V 2.5A C300 at least AC/DC 24V 20mA
- Contact (31 A 630)	AC 240V 2.5A C300 at least AC/DC 100mV 0.5mA
- Mechanical service life	Approx. 1 million switching cycles
Interface	Diagnose port (DP)
Protection class acc. to EN 60529	IP00
Connection type	6.3mm flat plugs
Housing material	PA glass-fibre-reinforced
Mounting	Screw mounted
Dimensions	Refer to dimensions in mm
Weight	Approx. 200g
Check base	EN 61000-6-2, EN 61000-6-3 EN 61010-1 Overvoltage category II Pollution level 2
Approval	UL File No. E75899 eUR _{US}

Technical changes reserved