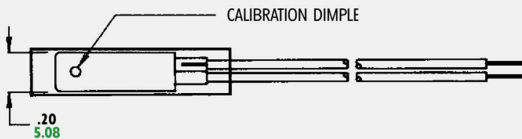


MODELS N AND NR

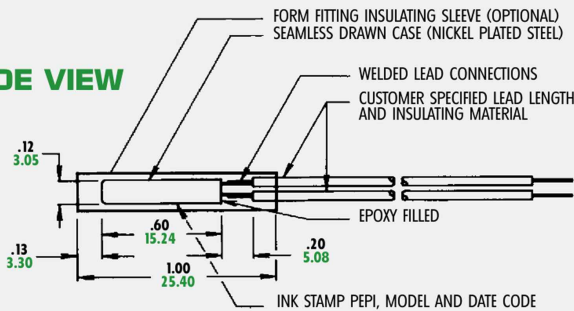


MODELS N AND NR

TOP VIEW



SIDE VIEW



METRIC DIMENSIONS ARE IN MM (SHOWN IN GREEN)

Copyright 2006, Portage Electric Products, Incorporated, all right reserved

A creep action thermal protector in an exceptionally small package. Low internal resistance and gold diffused contacts makes this device suitable for use in low voltage/low current applications.

FEATURES

- Conductive bimetal construction; the bimetallic element carries the circuit current.
- Creep action device; slow make/slow break switching action.
- No built-in differential between the opening and closing temperature.
- Preset calibration temperature; not adjustable in the field.
- Case electrically alive; insulating sleeving is available.
- Equipped with gold diffused, fine silver contacts for use in low voltage/low current applications.
- Available to open circuit on rise of temperature (normally closed), Model N; or close circuit on rise of temperature (normally open), Model NR.

CONTACT RATINGS

- 2.6 amps/120 volts AC inductive

See pages 28-32 for further details.

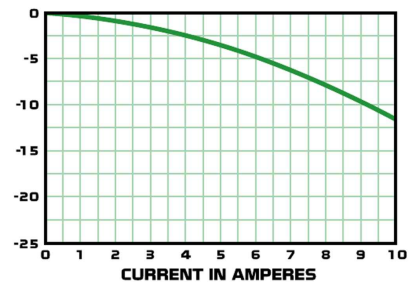
Please consult our Sales Engineers for suggested contact ratings when applied to DC type loads.

CALIBRATION TEMPERATURE RANGE

Available with nominal calibration temperatures from:

- Model N - 30°C to 130°C
- Model NR - 30°C to 125°C

CURRENT DERATING CURVE



We come through when the heat is on[®]



Pepi[®]

Portage Electric Products, Inc.