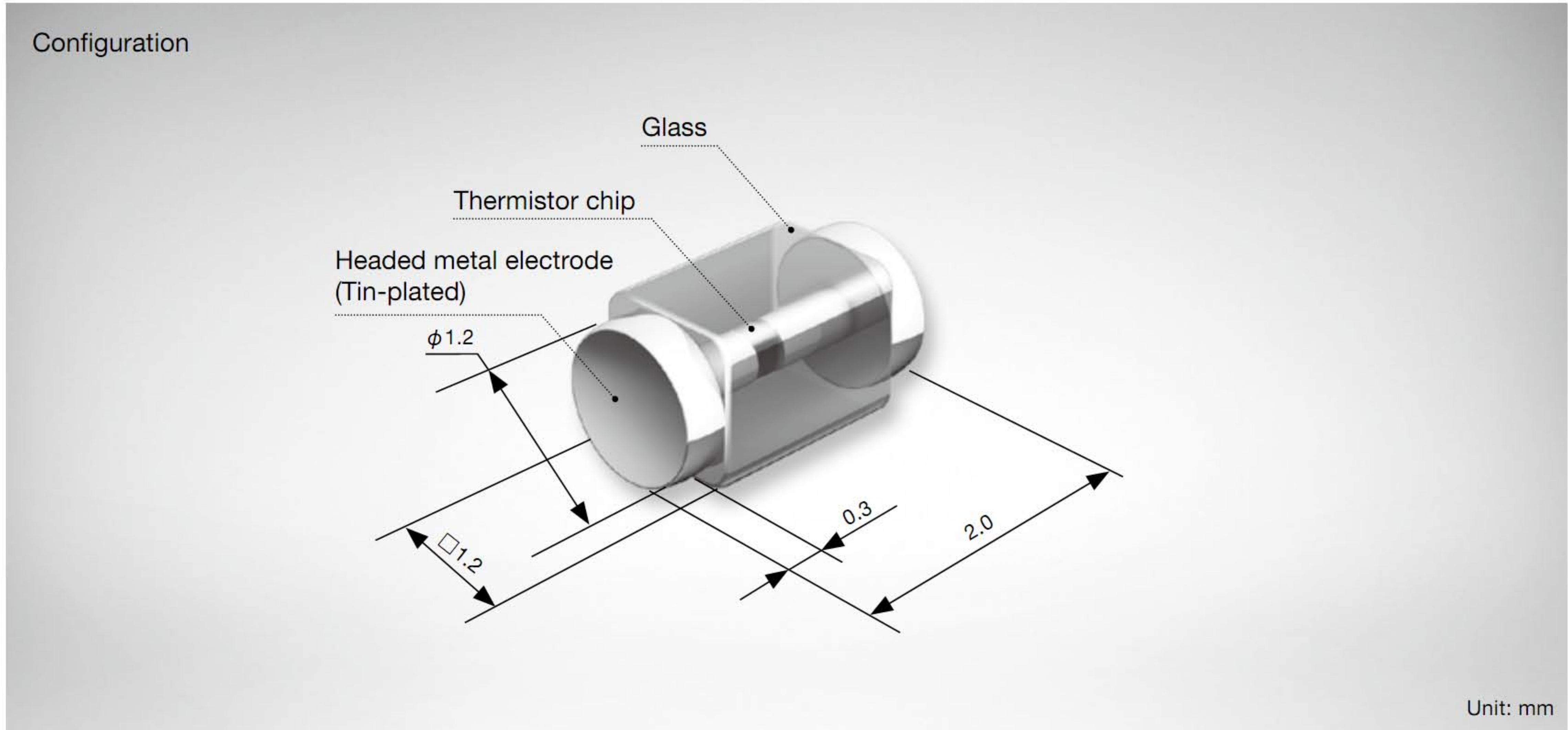


KG2 thermistor



A highly reliable surface mount thermistor

The KG is a highly reliable thermistor that has been developed in response to customer needs. A square glass and headed metal electrodes bring virtually no change for the KG through its lifetime. In addition, the KG provides excellent solderability and mountability.

Features

- Metal electrodes for soldering
- Excellent solder wettability with tin-plated electrodes
- High-level heat resistance and environmental stability secured by glass encapsulation
- Excellent solder dip resistance
- The square glass prevents deviation or falling off while being mounted

Applications

- Suitable to be used in a narrower space
- Applications requiring high reliability where general-purpose chip thermistors cannot meet
 - Overheat prevention for industrial motors
 - Temperature assurance for IGBT units
 - Temperature assurance for surface mount electric/electronic parts

Operating temperature

-50 to +200°C

Thermal time constant

Approx. 5 sec.

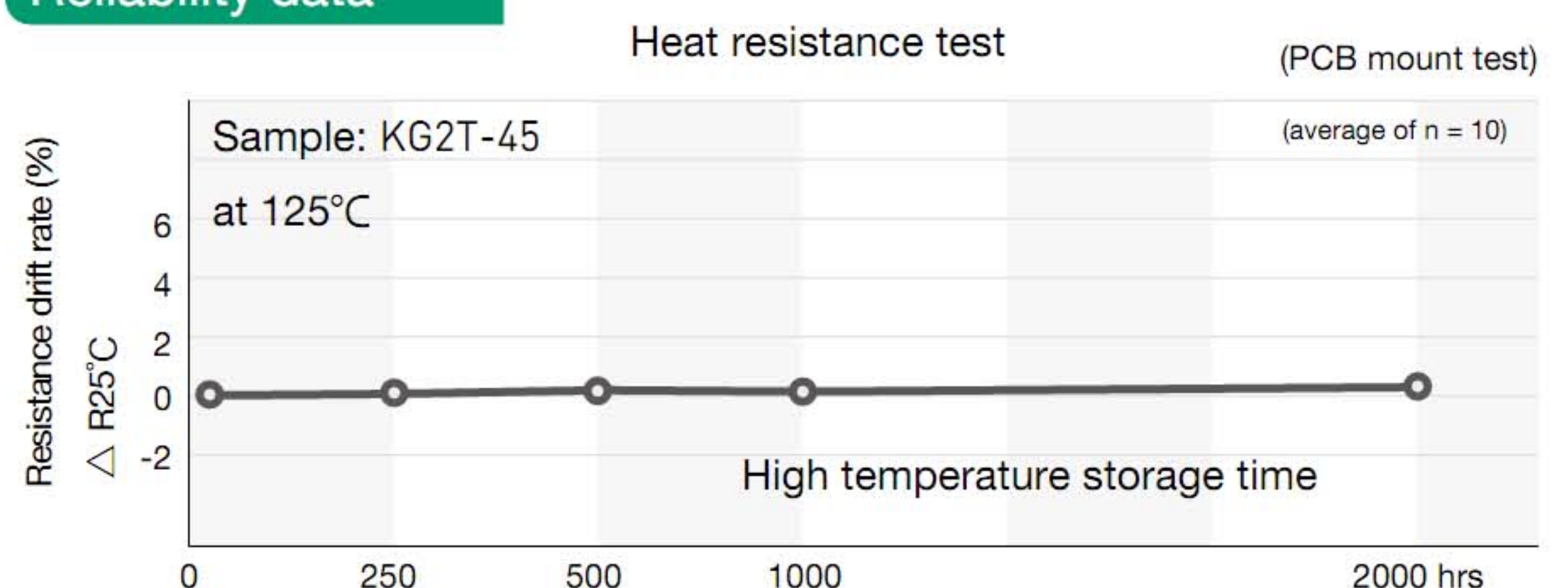
Dissipation constant

Approx. 1.3mW/°C

Insulation resistance

3 sec. at 350°C

Reliability data



Resistance-temperature characteristics

| Specification | Nominal resistance note (1) | B constant 25°C/50°C |
|---------------|-----------------------------|----------------------|
| KG2B-35 | 13.72kΩ (0°C) 5kΩ (25°C) | 3375K±2% |
| KG2B-41 | 28.08kΩ (0°C) 10kΩ (25°C) | 3450K±2% |
| KG2T-43 | 98.90kΩ (0°C) 30kΩ (25°C) | 3950K±2% |
| KG2T-45 | 164.8 kΩ (0°C) 50kΩ (25°C) | 3950K±2% |
| KG2T-51 | 332.3 kΩ (0°C) 100kΩ (25°C) | 4000K±2% |

Note (1): Resistance tolerance: ±3%, ±5%