

## HD421, 符合DIN EN 60751的铂电阻温度传感器

温度范围-70 °C 至 +850 °C

- 高达850°C的工作温度
- 宽温度范围内的高精度
- 高抗振性和高抗冲击性
- 优化的引脚适合于电阻焊和钎焊

HD 421 薄膜铂电阻温度传感器具有长期稳定性, 宽温度范围内的高精度和兼容性. HD421元件用于能源发电, 石油化工等行业的高温作业的监测.

标称阻值 $R_0$ [ $\Omega$ ]	公差等级	产品料号	包装方式
Pt100	F 0.6 (2B)	32208228	吸塑包装

标称电阻测量点距离传感器本体末端 4 mm

### 公差等级及温度范围

公差等级 F 0.6 (2B)                      -70 °C 至 +850 °C

说明:

公差等级 F 0.3 (B)                        -70 °C 至 +650 °C

公差等级 F 0.6 (2B)                      +650 °C 至 +850 °C

### 电阻温度系数

TCR = 3850 ppm/K

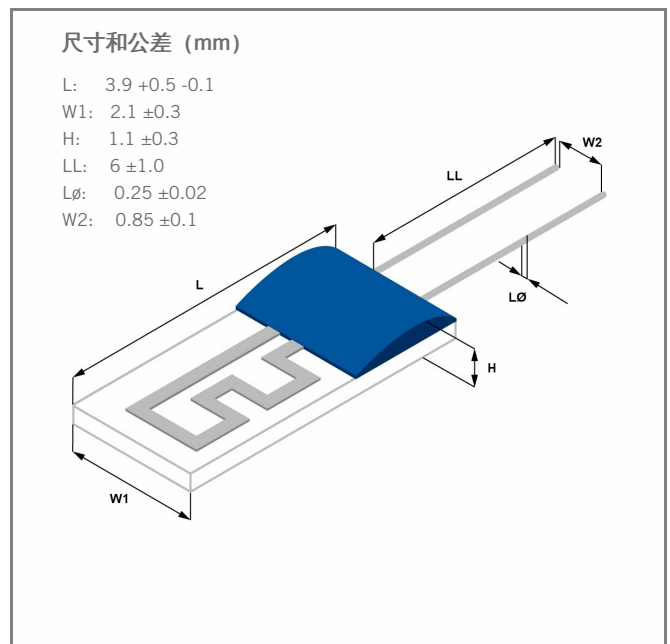
### 响应时间

水流 ( $v = 0.4$  m/s):                       $t_{0.5} = 0.05$  s  
 $t_{0.9} = 0.17$  s

气流 ( $v = 2$  m/s):                         $t_{0.5} = 3.3$  s  
 $t_{0.9} = 13$  s

### 工作电流

Pt100  $\Omega$ : -70 °C 至 20 °C max. 1 mA,  
 以上 20 °C max. 1 mA  
 (必须考虑自热影响)



图片仅供参考  
 固定盖板的颜色, 形状与外观可能有所不同

## HD421, 符合DIN EN 60751的铂电阻温度传感器

温度范围-70 °C 至 +850 °C

### 长期稳定性

R<sub>0</sub>小于DIN F 0.3 (B)规定的在850 °C下1000小时后的阻值漂移

R<sub>0</sub>小于DIN F 0.3 (B)规定的在650 °C下1000小时后的阻值漂移

(在通电情况下)

### 自热系数

0.2 K/mW 在 0 °C

### 绝缘阻抗

> 100 MΩ 在 20 °C

> 2 MΩ 在 650 °C

### 抗振动性

根据安装情况

### 抗冲击特性

根据安装情况

### 连接技术

熔焊, 钎焊

### 引脚材质

铂金

### 引脚拉力

≥ 10 N

### 包装

吸塑包装

按要求提供其他包装形式

### 保质期

至少12个月(原包装)

### 备注

其他公差, 电阻值和电线长度可根据要求提供.

由于随机取样测量, 可能会发生连接线弯曲(称为V形). 这种弯曲是与批次相关的, 对铂测量电阻的功能没有影响.



The information provided in this data sheet describes certain technical characteristics of the product, but shall not be qualified or construed as quality guarantee (Beschaffenheitsgarantie) in the meaning of sections 443 and 444 German Civil Code. The information provided in this data sheet regarding measurement values (including, but not limited to, response time, long-term stability, vibration and shock resistance, insulation resistance and self-heating) are average values that have been obtained under laboratory conditions in tests of large numbers of the product. Product results or measurements achieved by customer or any other person in any production, test, or other environment may vary depending on the specific conditions of use.

The customer is solely responsible to determine whether the product is suited for the customer's intended use; in this respect Heraeus cannot assume any liability. The sale of any products by Heraeus is exclusively subject to the General Terms of Sale and Delivery of Heraeus in their current version at the time of purchase, which is available under [www.heraeus.com/gtc](http://www.heraeus.com/gtc) or may be furnished upon request. This data sheet is subject to changes without prior notice.

Heraeus Nexensos GmbH, Reinhard-Heraeus-Ring 23, 63801 Kleinostheim, Germany

Heraeus Nexensos GmbH, Germany  
Web: [www.heraeus-nexensos.com](http://www.heraeus-nexensos.com)  
联系/联系方式: [nexensos.china@heraeus.com](mailto:nexensos.china@heraeus.com)

Document: 20002220858 | Part 002 | Version 02 | Status: 10/2021

页 2 中的第 2